



Ethernet Surge Protector

Features

- 10/100/1,000 (1G) Data Rate
- CAT5, CAT5e, CAT6, CAT6a Compatible.
- PoE, PoE+ and PoE++ Compatible
- 802.3af, 802.3at, 802.3bt and Passive PoE Compatible
- Shielded RJ45 Jacks and Full Metal Housing
- Industrial strength operating range to 85C
- Over-Current Protected



Applications

- Wireless Access Points and Client Devices
- IP Phone and Security Camera Systems
- Industrial Control Systems

Description

The TP-ESP-1G-24RM is a rackmount 24 port Ethernet surge protector to help protect sensitive equipment from surges caused by lightning and grid power fluctuations. They protect to an impressive 10KA and are compatible with up to 1Gbps Ethernet networks. The surge protectors are also compatible with IEEE802.3af/at/bt and passive PoE standards.

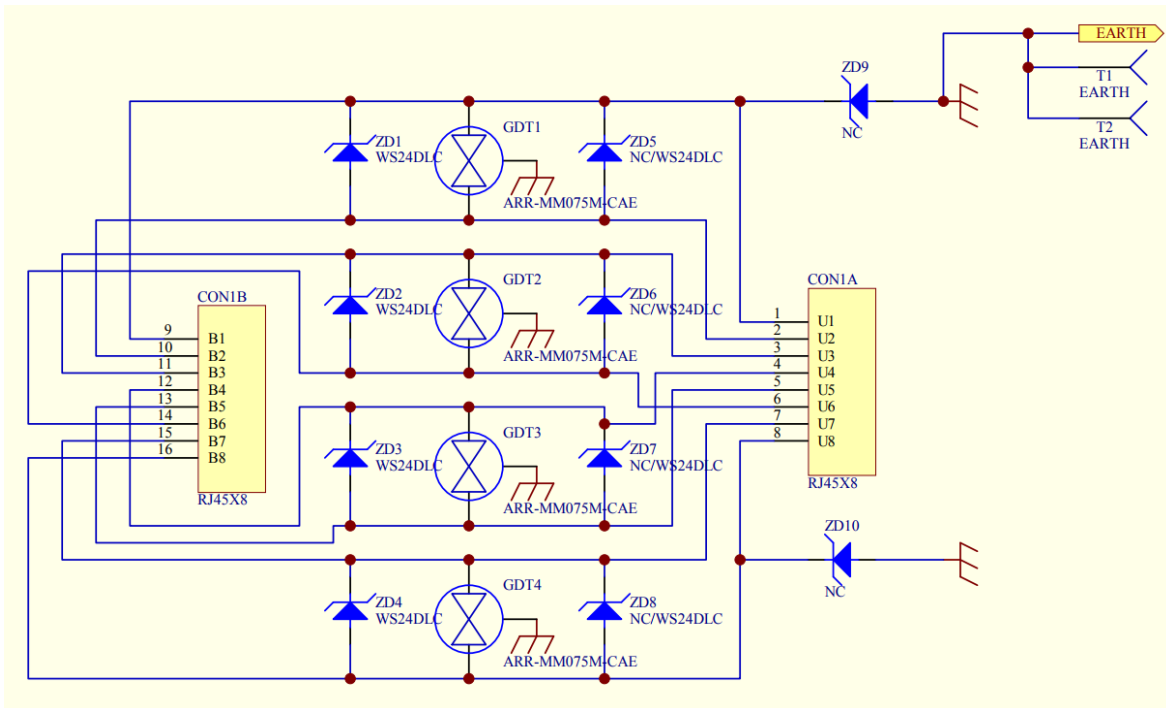
The 19" 1U rackmount has a metal body for improved EMI suppression and they have a ground stud on the front panel for ease of grounding to a single point earth ground. Incorporating a rugged design, they are perfect for indoor use or outdoor use inside a weatherproof enclosure. The TP-ESP-1G-24RM is compatible with 10/100/1,000M POE systems up to 56V and can also be used successfully in pure data systems without PoE . Common Mode and Differential Mode Protection is provided on all 8 Ethernet wires.

Specifications

	TP-ESP-1G-24RM
Operating Voltage	Data 5V, POE < 56V
PoE Operating Current	2.5A Max
Clamping Voltage	Data 10V, POE 120V (All 8 Pins)
Max Surge Discharge Current	10KA (8/20us, 10 times with 3 mins interval)
Peak Pulse Current	100A (10/1000us, 300 times with 3mins interval)
Protection Mode	Differential & Common Mode
Insulation Resistance	>1,000 MOhm
Shunt Capacitance	< 25 pF
Data Rate	10/100/1000 Mbps (1Gbps)
Impulse Protected Voltage	<650V
Response Time	<5ns
Enhanced ESD Protection	+/-15KV (air), +/- 8KV (contact), Class C
MTBF (Mil-HDBK-217F)	273,841 Hrs
Operating Temperature	-40 to +85°C (-40 to +185°F)
Storage Temperature	-40 to +85°C (-40 to +185°F)
Operating Humidity	0% to 95% non condensing

Body Size (L x W x H)	432 x 114 x 44.5mm (17" x 4.5" x 1.75")
Weight	2Kg (4.4lbs)
Rackmount Standard	19" 1U
Connectors	RJ45 Shielded Jacks
Ethernet Cable Compatibility	CAT5, CAT5e, CAT6, CAT6a
Grounding Stud - Threaded	4mm
Warranty	3 Years

Schematic – Single Port



System Ordering:

TP-ESP-1G-24RM

1Gbps 10KA 24 Port Rackmount Network Lightning/ Surge Suppressor

For further information contact:

Tyconsystems.com



14641 S 800 W Ste A Bluffdale, UT 84065
PH: 801-432-0003 FAX: 801-618-4220